



FMT3032

5ltr Paint Shaker

Product Instruction Manual

Please keep this manual safe for future reference



**FAST
MOVER**
Automotive Refinishing

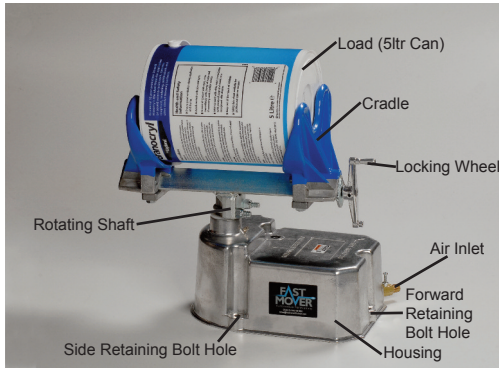


fastmovertoolsuk.com/mp

T: +44 (0)1582 661993 E: sales@fastmovertoolsuk.com W: www.fastmovertoolsuk.com

IMPORTANT

Please read through this Manual carefully before using the FMT3032. This tool must only be used for paint mixing and within the parameters outlined in this manual. All users of the equipment should be trained in any risks associated with the products they are preparing.



Specification

Capacity	5lt Can	Air Pressure	70-90psi
Speed	700 cycles per minute	Maximum Pressure	90PSI/6.3BAR
Cycle Size	85-90mm	Vibration Level	5.44m/s ²
Air Consumption	1.35cfm	Noise Level	85.7dB(A)

General Safety Instructions

- 1 Keep work area clean. Cluttered areas invite injuries.
- 2 Observe work area conditions. Do not use machines or power tools in damp or wet locations. Don't expose to rain. Keep work area well lighted. Do not use electrically powered tools in the presence of flammable gases or liquids.
- 3 Keep children away. Children must never be allowed in the work area. Do not let them handle machines, tools, or extension cords.
- 4 Store idle equipment. When not in use, tools must be stored in a dry location to inhibit rust. Always lock up tools and keep out of reach of children.
- 5 Use eye protection. Always wear ANSI approved impact safety goggles when using the Paint Shaker.
- 6 Dress properly. Do not wear loose clothing or jewelry as they can be caught in moving parts. Protective, electrically non conductive clothes and nonskid footwear are recommended when working. Wear restrictive hair covering to contain long hair.
- 7 Verify that the paint containers are securely closed before shaking, to avoid spilling or property damage.
- 8 Maintain tools with care. Keep tools clean for better and safer performance. Follow instructions for lubricating and changing accessories. Inspect tool air hoses periodically and, if damaged, have them repaired by an authorized technician. The handles must be kept clean, dry, and free from oil and grease at all times.

Fast Mover Tools Limited

T: 01582 661993 F: 01582 667100 E: sales@fastmovertoolsuk.com

W: www.fastmovertoolsuk.com

- 9 Disconnect air line. Unplug air line from the tool when not in use. Only use compressed air.
- 10 Avoid unintentional starting. Be sure the inlet valve is in the position when not in use and before plugging air line in. Do not carry any tool with your finger on the trigger, whether it is plugged in or not.
- 11 Stay alert. Watch what you are doing, use common sense. Do not operate any tool when you are tired.
- 12 Check for damaged parts. Before using any tool, any part that appears to be damaged should be carefully checked to determine that it will operate properly and perform its intended function. Check for alignment and binding of moving parts; any broken parts or mounting fixtures; and any other condition that may affect proper operation. Any part that is damaged should be properly repaired or replaced by a qualified technician.
- 13 Do not use the tool if any switch does not turn On and Off properly.
- 14 Replacement parts and accessories. When servicing, use only identical replacement parts. Use of any other parts will void the warranty. Only use accessories intended for use with this tool.
- 15 Do not operate tool if under the influence of alcohol or drugs. Read warning labels if taking prescription medicine to determine if your judgment or reflexes are impaired while taking drugs. If there is any doubt, do not operate the tool.
- 16 Make sure the place where you use this product is properly ventilated.
- 17 Verify paint containers are securely closed before shaking.
- 18 For your safety, service and maintenance should be performed regularly by a qualified technician.
- 19 Avoid shaking working with paints containing lead - if in doubt, consult the Material Safety Data Sheet (MSDS) which should be supplied with your paint. If it isn't, your paint supplier should supply it to you upon request. Fast Mover Tools does not and cannot supply MSDS.
- 20 Verify the air pressure from compressor is between 40 and 90 PSI .
- 21 Follow the warnings and precautions in the manual for the air compressor being used.
- 22 The warnings, cautions, and instructions discussed in this instruction manual cannot cover all possible conditions and situations that may occur. It must be understood by the operator that common sense and caution are factors which cannot be built into this product, but must be supplied by the operator.

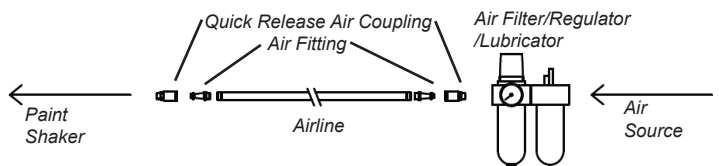
Installation Guide

Unit Mounting

- 1 Choose a workbench to mount the Paint Shaker on that is able to withstand the weight of the tool, full paint can, and steady vibration of the mixing.
- 2 Locate the Paint Shaker on the workbench and mark drilling holes using the Housing (40) mounting holes as a template. Caution: Before drilling, verify that there are no obstructions or live wires beneath the table.
- 3 Move the Paint Shaker aside, and drill holes using a drill matching the size of the Housing (40) mounting holes.
- 4 Mount Paint Shaker to the workbench using appropriate fixings

Air Connection

- 1 See diagram for recommended air supply setup.



Fast Mover Tools Limited

T: 01582 661993 F: 01582 667100 E: sales@fastmovertoolsuk.com

W: www.fastmovertoolsuk.com

Air Filter

- 1 Dirt, water, and the lack of pneumatic tool oil are major causes for tool wear.
- 2 Install an optional air filter (not supplied), as illustrated below for better performance.
- 3 Connect the Pneumatic Paint Shaker, air hose, filter, to the Compressor Air Outlet.

General Safety Instructions

Warning: Verify that the paint containers are securely closed before shaking, to avoid spilling or property damage. Make sure there is oil in Oiler (3)

BEFORE use. See below.

- 1 Place the paint can within the Jaws (54) and securely tighten Handle (44).
- 2 Verify that the Control Valve (1) is in the Off position (handle perpendicular to air flow direction).
- 3 Turn on the air pressure at the air supply tank or compressor. Adjust pressure to 40 PSI as read on the compressor pressure gauge.
- 4 Adjust the air pressure up to a maximum of 70 PSI for optimum tool performance.
- 5 Turn the Control Valve (1) to the On position. Shaking will begin.

Caution: If the paint can appears to be slipping out from the Jaws (48) during shaking, immediately turn off the Control Valve (1). Reset the can and re-tighten the Jaws.

- 6 Shake the paint can for two to four minutes, depending on its size.
- 7 After mixing the paint, turn the Control Valve (1) to the Off position, and wait for the movement to stop.
- 8 Disconnect the air hose from the compressor.
- 9 Loosen Handle (44) and remove the paint can.

Maintenance**General**

- 1 After each use, remove the air hose and wipe the tool with a clean cloth to remove any dirt and grease buildup.
- 2 To maintain tool life, always lubricate the air line by adding a few drops of pneumatic tool oil to the air line before each use. Or, install the automatic oiler-filter system.
- 3 Before each use, drain water out of the air compressor tank and condensation from the air lines. Refer to the Air Compressor Operator's Manual.

Lubrication

- 1 Disconnect the Pneumatic Paint Shaker from the air supply.
- 2 Locate the Oiler (3). There is a plug and a small screw on the Oiler that must be removed. Using a small funnel, pour air tool oil into the fill hole until the oiler is full. Replace the Fill Screw and plug.
- 3 Connect the Pneumatic Paint Shaker to the Oiler (3). The oiler will automatically spray a very small amount of oil into the Paint Shaker as you use it. Make sure you keep oil in the Oiler (3) to avoid damaging the Paint Shaker.
- 4 There is a zerk oil fitting (35) that feeds oil to a Bushing. Lubricate the bushing at least once a month if heavily used.



Please look after the environment, dispose of all packaging in a responsible way. Always dispose of tools in accordance with local authority guidelines.

© 2014 Fast Mover Tools Ltd. This document is copyright and is not to be copied, circulated, distributed or shown to anyone other than the intended recipient without the express permission of the directors.

Fast Mover Tools Limited

T: 01582 661993 F: 01582 667100 E: sales@fastmovertoolsuk.com

W: www.fastmovertoolsuk.com

Warranty

We hope that you will be very happy with your purchase. If you do have a problem with your tool, you have the added peace of mind of a 6 month warranty, which comes into date from the date of purchase (proof of purchase required).

Scope of Warranty

- The warranty will cover you from all faults caused by defective components or poor workmanship.
- Tools sent outside the EU are not covered by this warranty.
- Product must be returned to us, the warranty does not cover cost of carriage.
- If the product is no longer in manufacture, it will be replaced with a tool of equivalent or higher specification.

What is not covered

- Normal wear and tear caused by use in accordance with the operating instructions.
- Replacement of any provided accessories, such as Backing Pads, Airline Connections, Air Fittings, Blades, Spanners, etc.
- Accidental damage, faults caused by negligent use or care, neglect, misuse or careless operation, handling and storage of the product.
- Modification of, or change of, any part of this product in any way.
- Faults caused by use of non compatible accessories.
- Tool seizure caused by insufficient oiling.
- Faults caused by incorrect installation.
- Repairs or alterations carried out by non-approved parties.
- Traces of water or rust inside tool - this shows that a properly working air filter has not been used.

Validity

- This warranty is valid for 6 months after date of purchase.
- Warranty is rendered invalid if;
 - Tool is taken apart for any reason without our consent.
 - Tool is not oiled daily.
 - Air supply line is not used with a properly working air filter.
- A warranty claim will not be accepted without an official proof of purchase from your supplier.

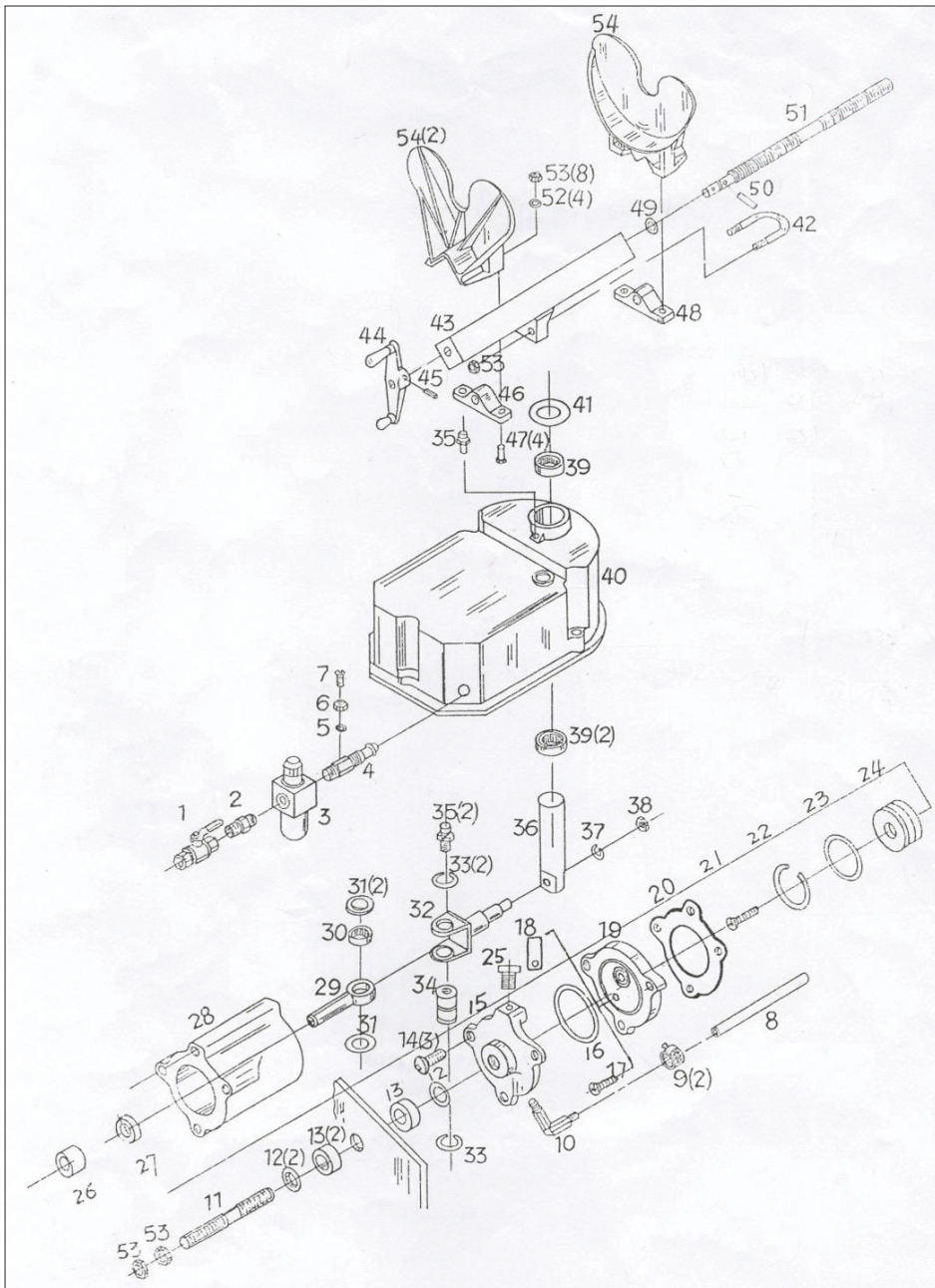
Fast Mover Tools Limited

T: 01582 661993 F: 01582 667100 E: sales@fastmovertoolsuk.com

W: www.fastmovertoolsuk.com

Parts Diagram

Ref.	Code	Description	Q'ty
1	FMT3032/1	Control Valve	1
2	FMT3032/2	Brass Nipple	1
3	FMT3032/3	Oiler	1
4	FMT3032/4	Inlet	1
5	FMT3032/5	Seal	1
6	FMT3032/6	Nut	1
7	FMT3032/7	Screw	1
8	FMT3032/8	Air Hose	1
9	FMT3032/9	Hose Clamp	2
10	FMT3032/10	Inlet Fitting	1
11	FMT3032/11	Cylinder Stud	1
12	FMT3032/12	Shock Metal Washer	2
13	FMT3032/13	Shock Rubber Washer	2
14	FMT3032/14	Valve Body Screw	3
15	FMT3032/15	Lower Valve Body	1
16	FMT3032/16	Valve Body O-Ring	1
17	FMT3032/17	Screw	1
18	FMT3032/18	Valve Piece	1
19	FMT3032/19	Upper Valve Body	1
20	FMT3032/20	Packing	1
21	FMT3032/21	Piston Screw	1
22	FMT3032/22	Wear Ring	1
23	FMT3032/23	Piston O-Ring	1
24	FMT3032/24	Piston	1
25	FMT3032/25	Air Cock	1
26	FMT3032/26	Rod Bearing	1
27	FMT3032/27	Rod Seal	1
28	FMT3032/28	Cylinder Body	1
29	FMT3032/29	Cylinder Rod	1
30	FMT3032/30	Rod End Bearing	1
31	FMT3032/31	Crank Thrust Washer	2
32	FMT3032/32	Crank Arm	1
33	FMT3032/33	Crank Pin Retaining Ring	2
34	FMT3032/34	Crank Pin	1
35	FMT3032/35	Zerk Fitting	2
36	FMT3032/36	Main Shaft	1
37	FMT3032/37	Spring Lock Washer 1/2"	1
38	FMT3032/38	1/2"-12 Nut	1
39	FMT3032/39	Bushing	2
40	FMT3032/40	Housing	1
41	FMT3032/41	Thrust Washer	1
42	FMT3032/42	U-Bolt	1
43	FMT3032/43	Clamp Frame Weld	1
44	FMT3032/44	Handle	1
45	FMT3032/45	Roll Pin	1
46	FMT3032/46	Clamp Nut (LH)	1
47	FMT3032/47	Jaw Bolt	4
48	FMT3032/48	Clamp Nut (RH)	1
49	FMT3032/49	Thrust Washer	1
50	FMT3032/50	Roll Pin	1
51	FMT3032/51	Clamp Screw	1
52	FMT3032/52	Jaw Shin	4
53	FMT3032/53	3/8"-16 Nut	8
54	FMT3032/54	Jaw	2



Fast Mover Tools Limited

T: 01582 661993 F: 01582 667100 E: sales@fastmovertoolsuk.com

W: www.fastmovertoolsuk.com

Useful Links



Visit Us
fastmovertoolsuk.com



FMT3032 Product Page
[/fmt3032](http://fastmovertoolsuk.com/fmt3032)



Download Manuals
[/mp](http://fastmovertoolsuk.com/mp)